

# R6

## ELECTRIC SCISSOR LIFT



### Performance

Platform Height—Elevated	5.64 m
Platform Height—Lowered	1.0 m
Platform Capacity	230 kg
Capacity on Deck Extension	120 kg
Lift/Lower Time	25/26 sec
Maximum Drive Height	5.64 m
Weight	1,588 kg
Ground Bearing Pressure	8.4 kg/cm <sup>2</sup>
Drive Speed	
Lowered	4 km/h
Elevated	0.8 km/h
Gradeability	25%
Turning Radius	
Inside	0.6 m
Outside	2.2 m

### Standard Specifications

#### Tyres

- Solid, Non-Marking

#### Brakes

- Electric, Friction on Drive Wheels
- Guard Rail Type--Fixed

#### Power Source

Batteries	4 x 6V, 220 AH
Charger	25 Amp
Drive	24V DC
Pump	3.2 cc/rev @ 2,300 psi (178 kg/cm <sup>2</sup> )

#### Hydraulic System

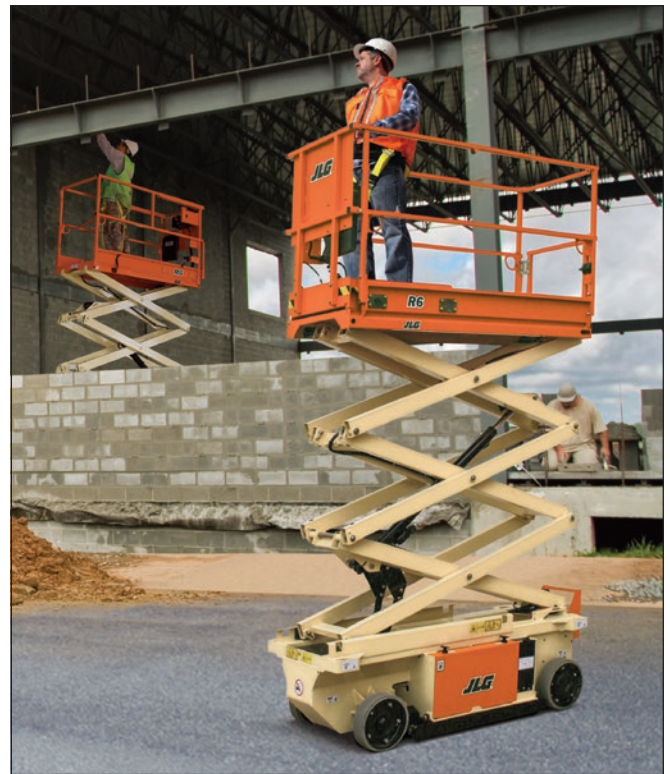
Capacity	5 L
----------	-----

### Standard Features

- Proportional Controls
- Industry Leading Duty Cycles
- Battery Condition Indicator
- Automatic Traction Control (ATC)
- All Motion Alarm
- 25 Amp Automatic SCR Charger
- Horn
- Hourmeter
- Flashing Amber Beacon
- Lubrication-Free Scissor Arm Bushings
- Tilt Alarm and Light
- LSS – Load Sensing System
- Forklift Pockets
- Moveable, Removable Platform Control
- Manual Descent Pull Cable
- Mechanized Pothole Protection
- Scissor Maintenance Prop
- 70 cm Roll-Out Deck Extension

### Accessories & Options

- AC Power to Platform
- Anti-Vandal Control Box Covers
- Squawker Motion Alarm
- 220 Amp-Hour AGM Batteries
- IP65 Fixed Charger Inlet
- Special Hydraulic Oils



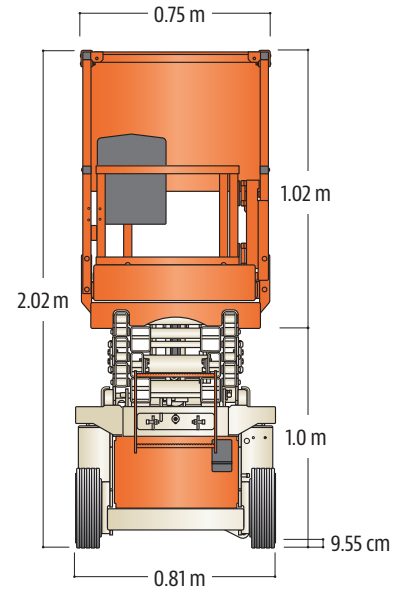
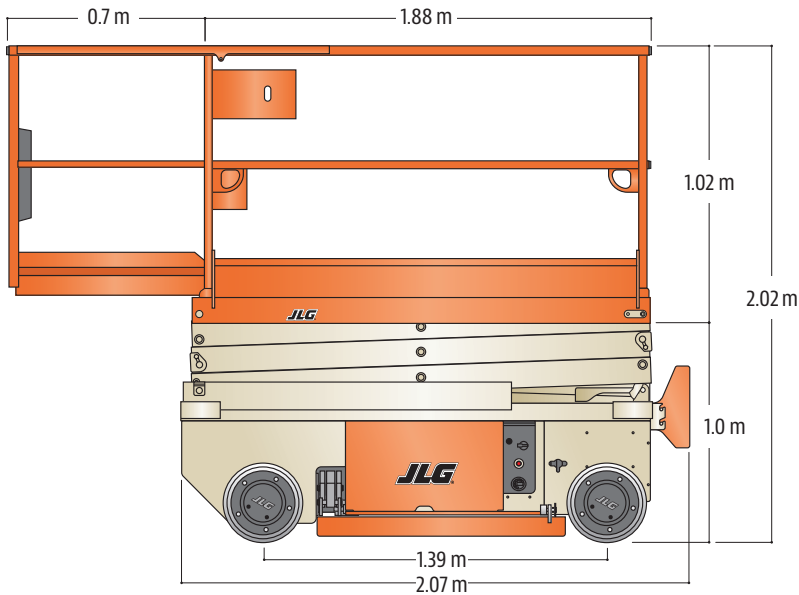
# R6

ELECTRIC SCISSOR LIFT



## Dimensions

All dimensions are approximate.



## The JLG "1 & 5" Warranty

JLG Industries, Inc. backs its products with its exclusive "1 & 5" Warranty. We provide coverage on all products for one (1) full year and cover all specified major structural components for five (5) years. Due to continuous product improvements, we reserve the right to make specification and/or equipment changes without prior notification. This machine meets or exceeds AS/NZS 1418.10 2011 as originally manufactured for intended applications.



**JLG Industries, Inc.**  
358 Park Road  
Regents Park, NSW 2143  
Telephone 02 8718 6300  
Fax 02 8718 6377  
[www.jlg.com.au](http://www.jlg.com.au)  
An Oshkosh Corporation Company